

SUPER HEAVY DUTY CLAMPS

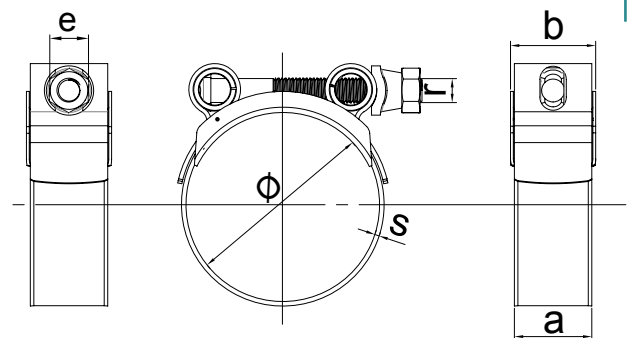


Featuring high strength 8.8 grade steel nut and T bolt, our heavy duty clamps can be tightened up hard using many different kinds of tools, while the rounded band edges protect the hose from harm.

They are widely used in agriculture, waste water lines, mining and quarrying along with sectors in need of the use of heavy-duty clamps. Those clamps are high-performance products, offering both strength and competitive prices.



∅ (mm)	a (mm)	s (mm)	b (mm)	r	e (mm)	Max. Torque (Nm)
17-19	18 +0,2	0,6	19,8	M5	8	4,5
20-22						
23-25						
26-28	20+0,3	0,8	22	M6	10	8
29-31						
32-35						
36-39	22+0,2	1,2	24,5	M7	11	16
40-43						
44-47						
64-67	24+0,4	1,5	26,5	M8	13	25
68-73						
74-79						
80-85	24+0,4	1,5	26,5	M8	13	25
86-91						
122-130						
131-139	26+0,5	1,7	29	M10	17	50
140-145						
146-151						



Material	Properties
W1	Bolt: Zinc Plated 8.8 Grade Steel Band and Bridge: Zinc Plated Low Carbon Steel Washer and Trunnion: Zinc Plated Low Carbon Steel

SUPRA

HEAVY DUTY CLAMPS



Due to its revolutionary swiveling bridge, Supra Heavy Duty Clamps can be mounted in the most difficult applications without having to remove the hose.

Rounded band edges protect the hose from damage. The high strength bolt together with captive nut and spacer system allow you to clamp the most demanding of hose assemblies.

Our Supra Clamp is the choice of professionals in all industrial applications including industry hose, automotive and agricultural machinery.



Ø (mm)	a (mm)	r	Max.Torque (Nm)		
			W2	W4	W5
17-19	18 +0,2	M6	10		
.....					
27-29	20 +0,3	M7	13	12	
29-31					
.....			16		
43-47					
63-68	25 +0,4	M8	30		
68-73					
.....					
121-130	28 +0,4	M10	45		
130-140					
.....					
395-408					

Material:

W2: Band and Bridge: AISI 430 Stainless Steel
Bolt: Zinc Plated Low Carbon Steel

W4: Band and Bridge: AISI 304 Stainless Steel
Bolt: AISI 302 Stainless Steel

W5: Band and Bridge: AISI 316 Stainless Steel
Bolt: AISI 316 Stainless Steel

