



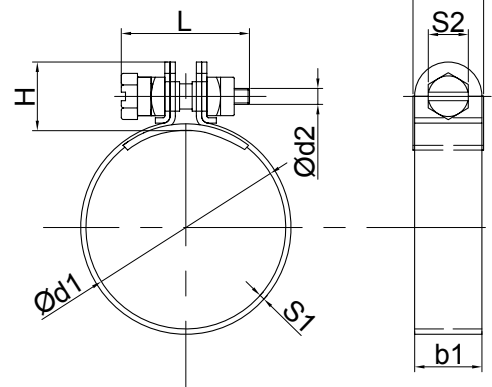
# S CLAMPS

DIN 3017-2

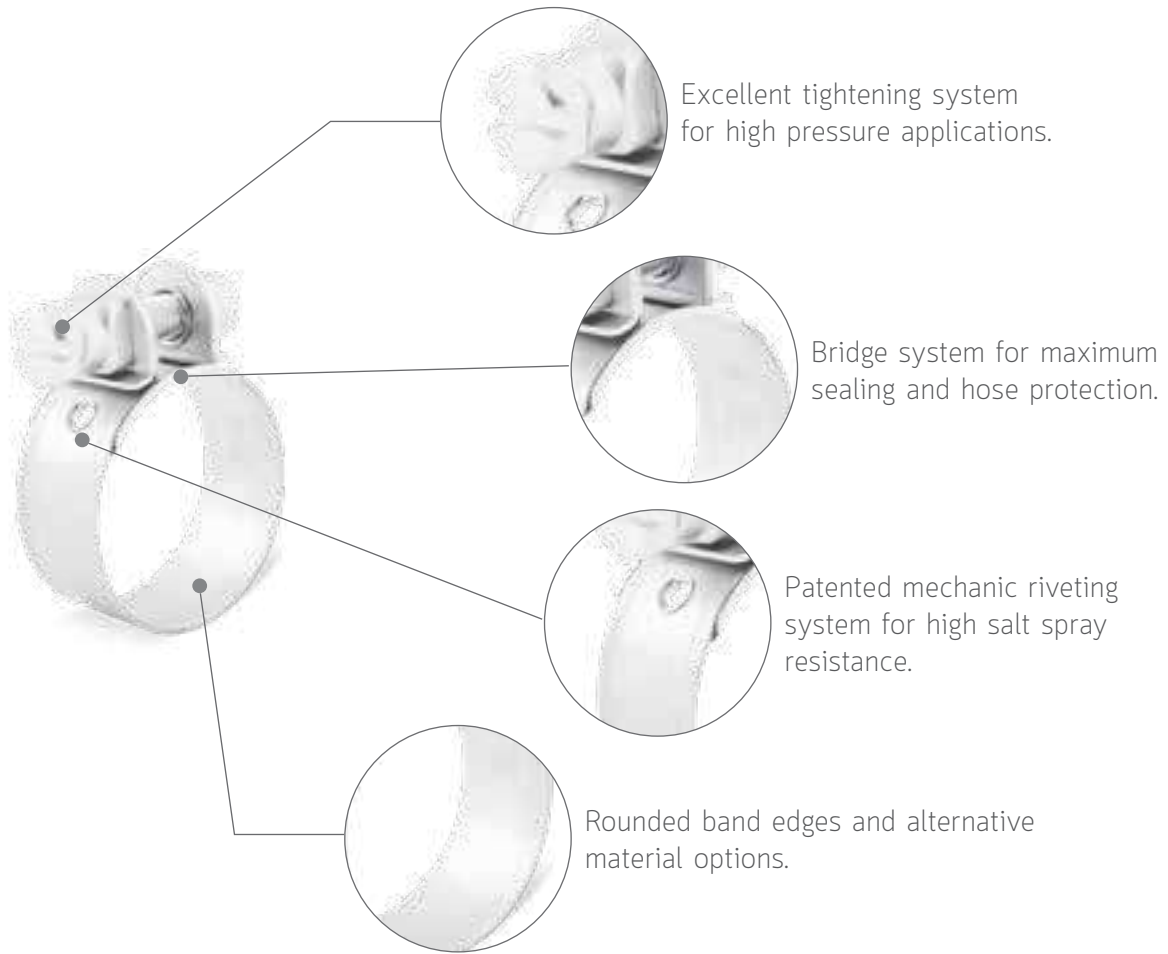






Produced according to the DIN 3017-2 standard, "S" clamps offer high compression power and high impermeability thanks to their special retaining bushes, nuts, and bolts. They ensure maximum protection and high-performance especially in hose applications, with the aid of an inner bridge support. Due to the abovementioned properties, they often replace standard worm drive clamps in high pressure hose applications.

The inner bridge support is connected to the clamp body with the special riveting method, the patent of which belongs to our company. This method improves the clamp's corrosion resistance in compare to the clamps assembled with the welding system.



## S CLAMPS DIN 3017-2



Ød1 (mm)	b1 (mm)	b2 (mm) max.	H (mm) max.	S1 (mm)	d2	L (mm) max.	S2 (mm)	Bolt Head Type
8-100	9	10,5	11	0,4	M4	31	-	
12-100	12	14	13,5	0,5	M5	35	8	
20-125	15	17	17	0,6	M6	40	10	
25-120	20	22	20	0,9	M8	46	13	

Material Type	Material Description	Nut - Bush	Bolt
W1	Galvanized Steel	SAE 1008	DIN 1.5525 / 8.8 Grade
W5	AISI 316 Stainless Steel	AISI 316 Stainless Steel	AISI 316 Stainless Steel